

# Installing a nonEPC Purged Packed Inlet

## Overview

This section reviews the procedure for installing a nonEPC purged packed inlet on a 6890 Gas Chromatograph (hereafter referred to as the GC). Before you begin, review the safety information found on the inside of the back cover.

### Parts List

- 1 nonEPC purged packed inlet
- 2 machine screws (M4 x 12 mm long)
- 2 hex nuts with lockwashers
- 1 thread-cutting screw
- 1 nutwarmer cup assembly
- 1 nutwarmer insulation assembly (consists of 3 pieces)
- 1 nutwarmer plate
- 1 purged packed label plate

### Required Tools

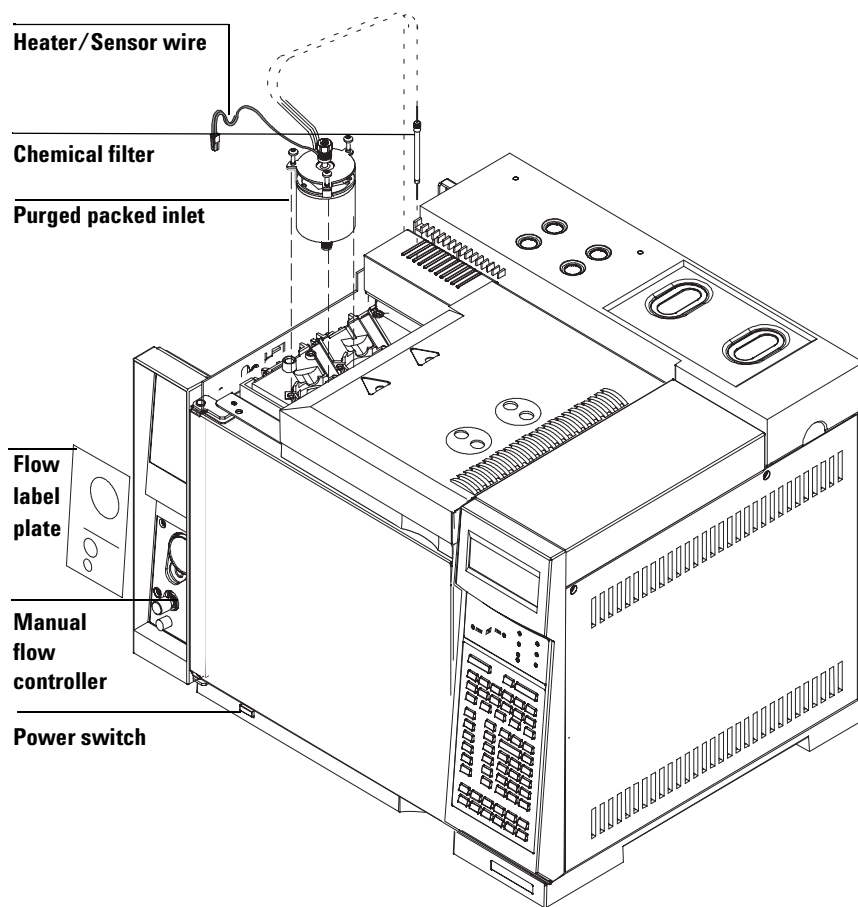
- 7-mm nut driver
- T-20 Torx screwdriver



## Installing a nonEPC Purged Packed Inlet Overview

### Steps

- 1 Prepare the instrument
- 2 Install the inlet
- 3 Install the manifold
- 4 Install the insulation cup
- 5 Restore the instrument to operating condition



## Prepare the GC

### WARNING

**Hazardous voltages are present in the mainframe when the GC power cord is plugged in. Avoid a potentially dangerous shock hazard by unplugging the power cord before removing the side panels.**

---

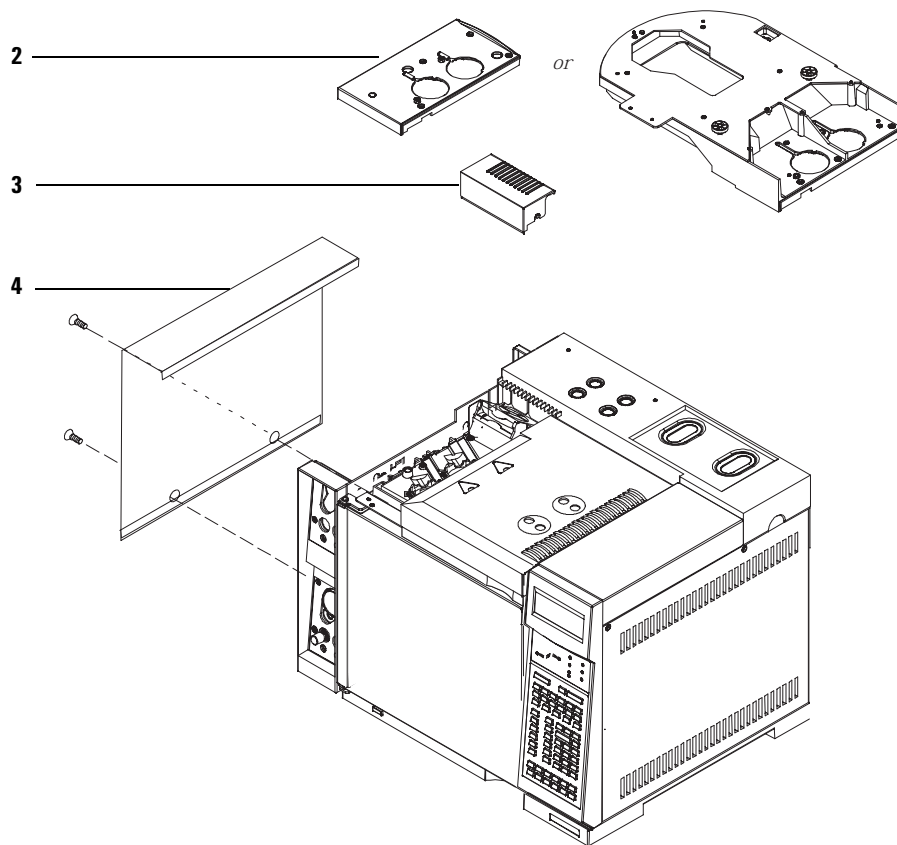
- 1** Turn off the GC and unplug the power cord.
- 2** Remove the injection port cover. Loosen the five captive screws with a T-20 Torx screwdriver until you are able to lift off the cover.

*or*

Remove the tray mounting bracket by loosening the six screws at the top of the bracket and the two screws at the side of the GC and lifting it off.

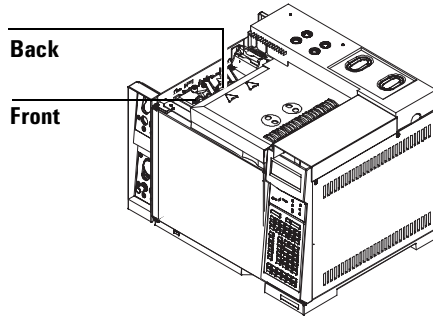
- 3** Remove the fan cover.
  - a** Loosen the screw on the right side of the fan cover.
  - b** Slide the cover to the right to disengage it from the left mounting post.
  - c** Lift the cover up and off.
- 4** Remove the left side cover; loosen the two captive screws and lift it off.

# Installing a nonEPC Purged Packed Inlet Prepare the GC

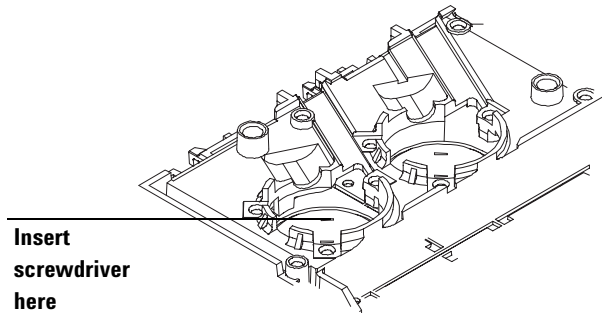


## Install the Inlet

- 1 From the front of the instrument, locate the inlet chassis and the front and back inlet positions.

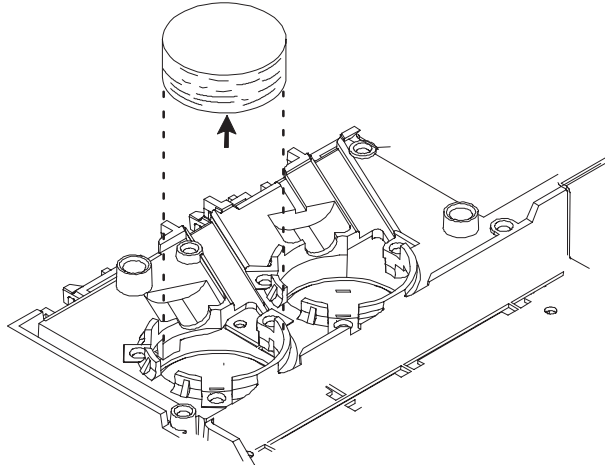


- 2 Remove the round metal cutout in the front or back inlet position, if necessary. Insert a flat blade screwdriver into the slot in the cutout and move the screwdriver back and forth until the cutout breaks free from the sheetmetal on the oven top.



Installing a nonEPC Purged Packed Inlet  
Install the Inlet

- 3 Remove the die-cut insulation plug from the front or back inlet position, if necessary.



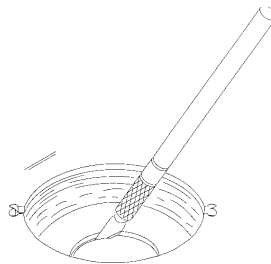
- 4 Carefully remove the scribed circle of insulation from the oven top to create an opening into the oven, if necessary.

**Method 1:**

Use an Xacto knife to cut out the insulation using the scribed circle as a guide.

**Method 2:**

Pierce the insulation with a screwdriver. Rotate the screwdriver around the circumference of the scribed circle to remove excess insulation.

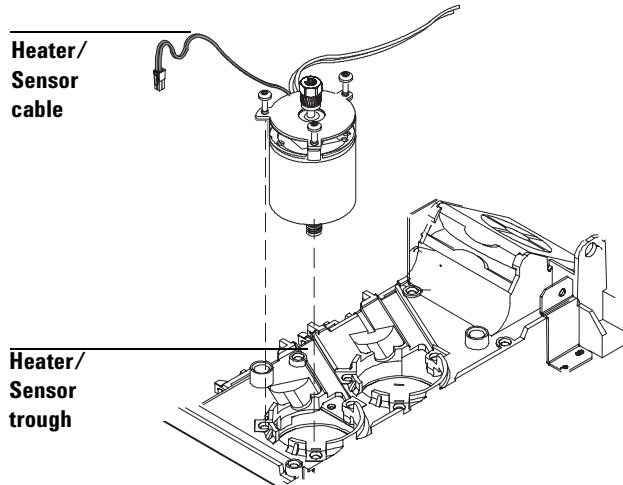


**CAUTION**

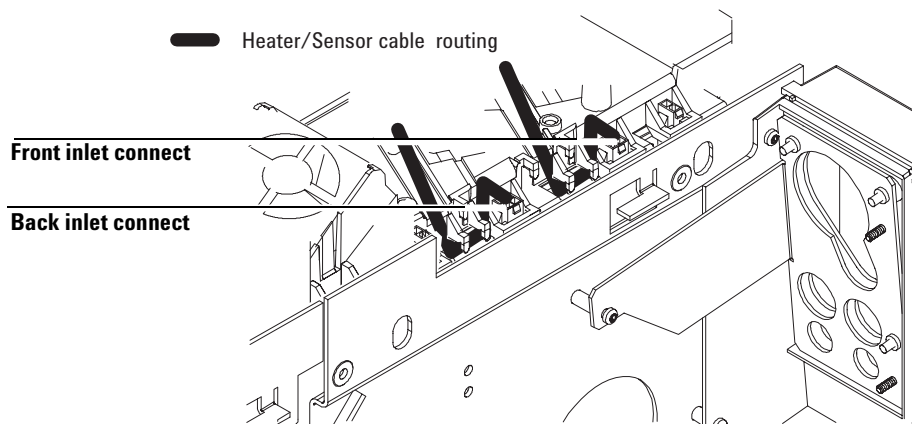
Clean up any pieces of insulation that fall inside the oven.

## Installing a nonEPC Purged Packed Inlet Install the Inlet

- 5 Place the inlet in the front or back position so that the three screws line up with the holes in the oven top and the heater/sensor cable sits in the trough in the inlet chassis. Tighten each screw once with the T-20 Torx screwdriver until the inlet is properly aligned. Tighten each screw again until snug.

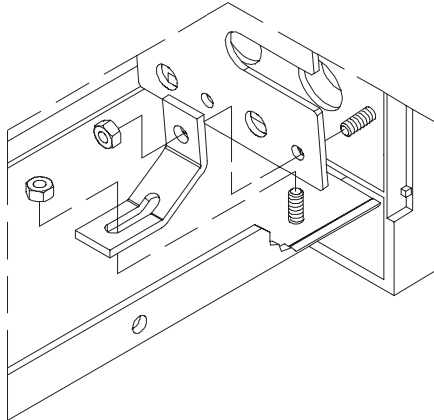


- 6 From the left side of the GC, locate the heater/sensor wire and its corresponding connector. Tuck the heater/sensor wire underneath the clip at the side of the GC and connect it to the nearest square connector.

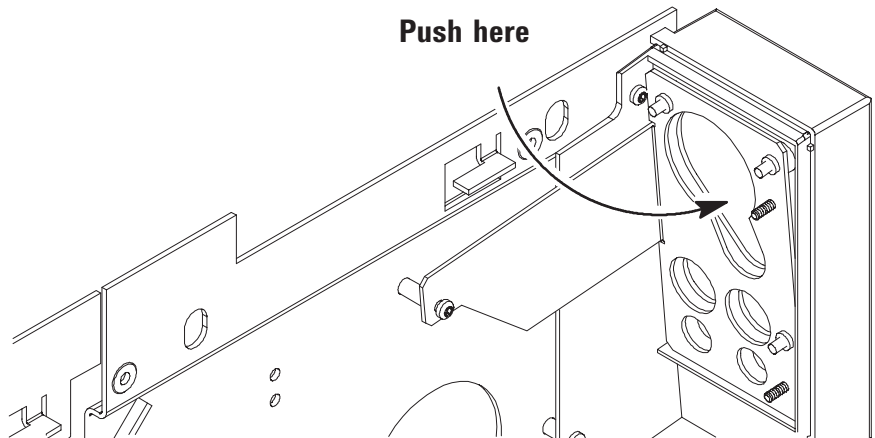


## Install the Flow Manifold

- 1 If you are installing an inlet in the back position, remove the hex nuts holding the bezel support bracket using a 7-mm nut driver. Remove the flow bezel support bracket and set it aside.



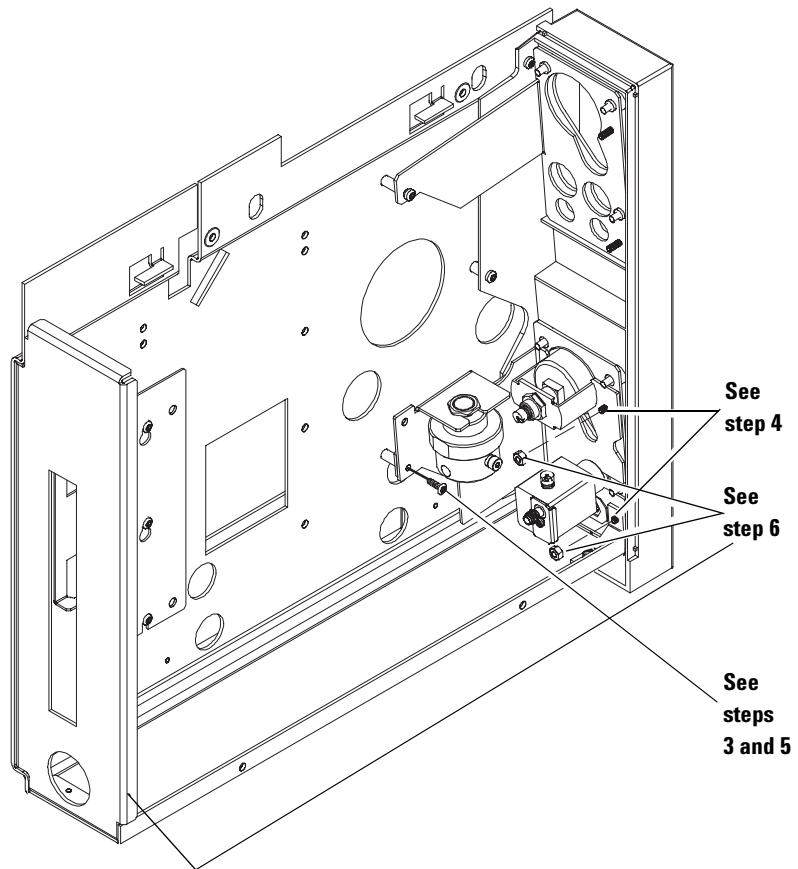
- 2 Remove the flow-control label plate from the inlet front or back position on the flow bezel. The plate is glued in place and is removed by pushing through the openings in the back of the flow bezel and then pulling off the loosened plate.





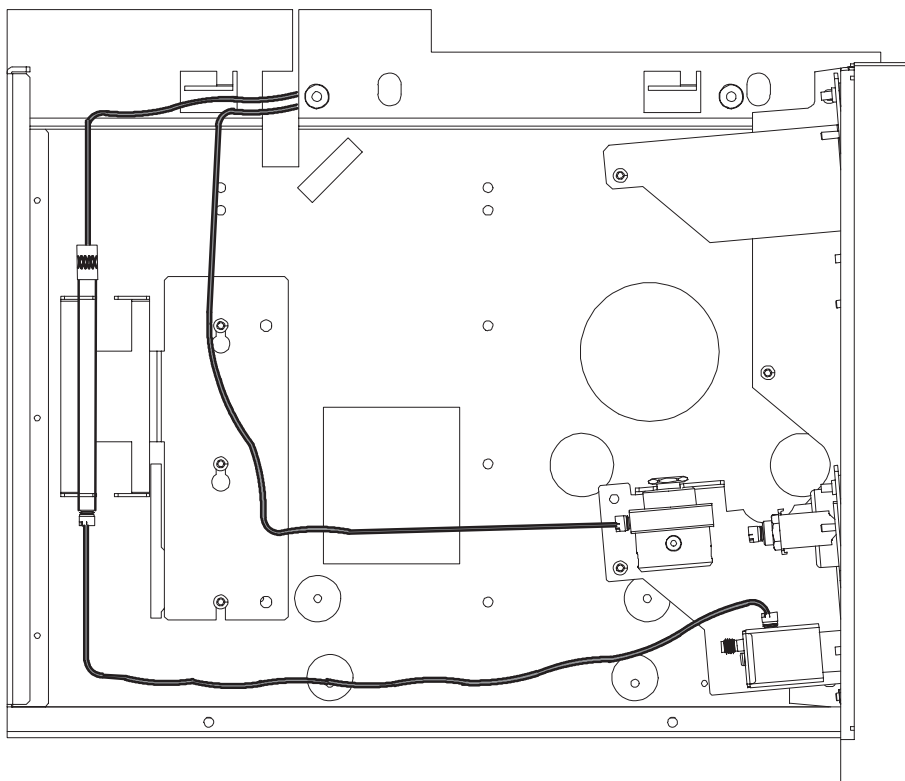
Installing a nonEPC Purged Packed Inlet  
Install the Flow Manifold

- 3** Remove the (25-mm) screw from the flow carrier and position the flow module so that the hole in its bracket lines up with the holes in the carrier.
- 4** Place the flow module on the two threaded studs on the back of the flow bezel.
- 5** Secure the flow manifold to the flow carrier with the screw you removed in step 3. Tighten with a T-20 Torx screwdriver until snug.
- 6** Secure the manifold to the flow bezel by installing two hex nuts. Tighten using the 7-mm nut driver. Refer to step 1 for mounting in the back position.

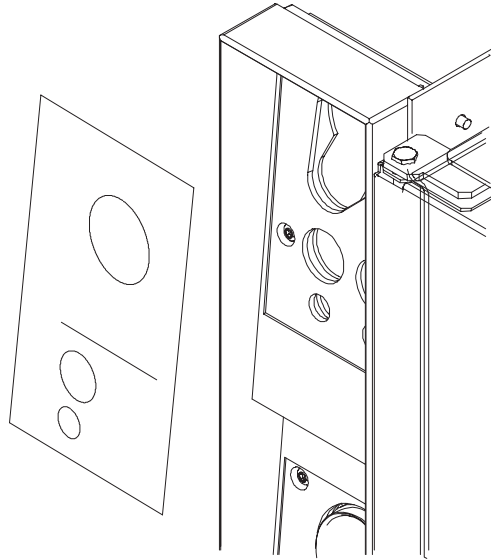


Installing a nonEPC Purged Packed Inlet  
Install the Flow Manifold

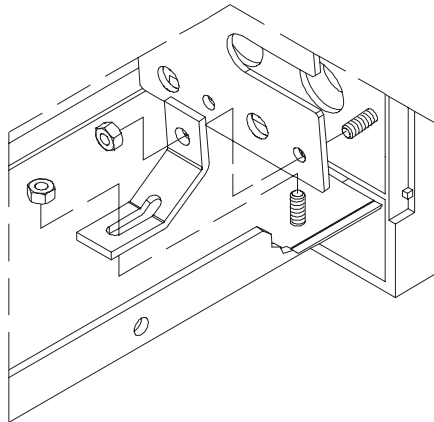
- 7** Place the chemical filter in the bracket as shown.
- 8** Route the stainless steel tubing as shown in the figure below.



- 9** Attach the self-adhesive purged packed flow label plate to the front of the flow bezel in either the front or back position.

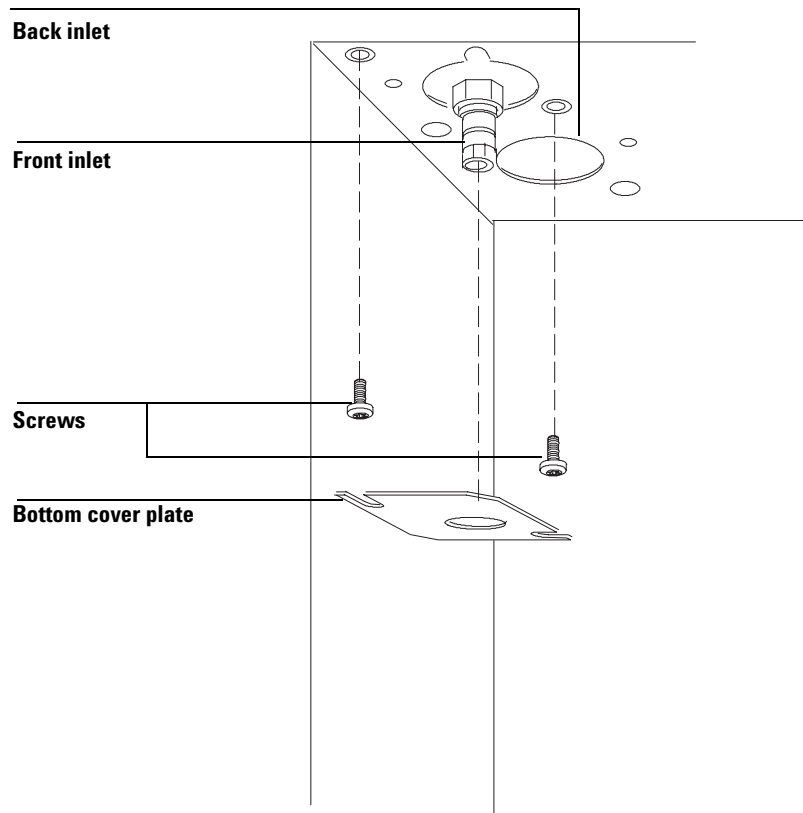


- 10** If you removed the bezel bracket in step 1, replace it.



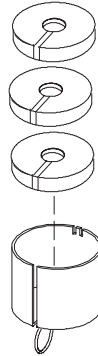
## Install the Insulation Cup

- 1 From inside the oven, install two heat-resistant screws in the front or back inlet position. Place the bottom cover plate over the screws and rotate it so that slots in the cover plate fit over the screws. Tighten the screws until snug with a T-20 Torx screwdriver.

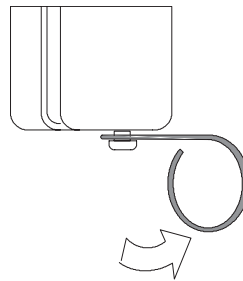


Installing a nonEPC Purged Packed Inlet  
Install the Insulation Cup

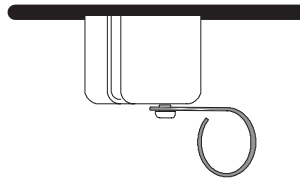
- 2** Install the insulation in the cup as shown.



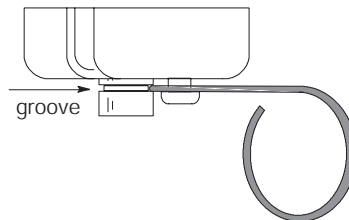
- 3** Take the insulation cup and push the wire spring lever at the bottom of the cup to the right to uncover the hole.



- 4** From inside the oven, place the cup over the inlet fitting so that the top of the cup touches the top of the oven.



- 5** Release the spring. Make certain the spring fits in the groove of the inlet fitting.



## Restore the GC to Operating Condition

- 1 Reinstall the flow carrier cover and replace the two screws.
- 2 Replace the fan cover.
- 3 Reinstall the injection port cover or tray bracket.
- 4 Plug in and turn on the GC.
- 5 The GC is aware that a nonEPC inlet is present - it looks for the heater/sensor connections, but does not know what kind. You must supply this information through configuration:
  - a Press [**Config**], select **Instrument**, and [**Enter**].

```
-----  
          CONFIG INSTRUMENT  
-----  
Serial# US00100001  
Auto prep run      Off  
F inlet type:      S/SL <  
B inlet type:      S/SL
```

- b Select the inlet and press [**Mode/Type**].

```
-----  
          FRONT INLET TYPE  
-----  
*Purged packed  
Split/splitless  
Cool on-column    <  
Unknown  
None
```

- c Select a type and press [**Enter**].
    - d Press [**Config**] [**Front Inlet**] or [**Back Inlet**].

```
-----  
          CONFIG FRONT INLET  
-----  
Gas type           He <
```

- e Press [**Mode/Type**], select a gas, and press [**Enter**].

Installing a nonEPC Purged Packed Inlet  
Restore the GC to Operating Condition



**Agilent Technologies**

© Agilent Technologies, Inc. 2004

No part of this manual may be reproduced in any form or by any means (including electronic storage and retrieval or translation into a foreign language) without prior agreement and written consent from Agilent Technologies, Inc. as governed by United States and international copyright laws.

G1573-90307

First edition, October 2004

Printed in USA

Agilent Technologies, Inc.  
2850 Centerville Road  
Wilmington, DE 19808-1610 USA

## CAUTION

A **CAUTION** notice denotes a hazard. It calls attention to an operating procedure, practice, or the like that, if not correctly performed or adhered to, could result in damage to the product or loss of important data. Do not proceed beyond a **CAUTION** notice until the indicated conditions are fully understood and met.

## WARNING

A **WARNING** notice denotes a hazard. It calls attention to an operating procedure, practice, or the like that, if not correctly performed or adhered to, could result in personal injury or death. Do not proceed beyond a **WARNING** notice until the indicated conditions are fully understood and met.